

P2CC

The **P2CC** communicator is intended for remote readout of electricity meters for industrial and household consumption. It enables bi-directional data transmission between the meter and the data centre.

The communicator is equipped with RS232, RS485 and CS communication interfaces for connection with the meter, an IR interface for local settings, and a GSM/GPRS modem for connection with the data centre. Data transfer according to IEC 1107 or DLMS/COSEM protocols.

The communicator is a programmable communicator device the parameters of which can be set locally via an optical interface, or remotely via a modem. Any standard terminal program can be used for parameter setting.

Communicator for remote meter readout via RS232, RS485 and active CS current loop over GSM/GPRS network



IR	IR communication interface
RS232	RS232 communication interface
CS	CS communication interface
RS485	RS485 communication interface
GSM/GPRS	Built-in GSM/GPRS modem

- Collection of measurement data via various communication interfaces
- Transfer of the read measurement data via a modem to the centre
- Data protection (user name and password)
- Built-in modem operation control
- Real-time clock and calendar
- Optional alarms (GPRS – for certain meter types)
- LED communicator status indicator

TECHNICAL DATA

Supply voltage (single-phase or three-phase)85V – 265V / 50 HZ
 Consumptionmax. 5 VA
 Ambient temperature-30 °C to + 70 °C
 Air humiditymax. 75%
 Dust protectionIP 50 (IEC 529)
 Dimensions100 mm x 176 mm x 54 mm (length x height x width)
 Mass0.46 kg

The communicator can be fixed to the meter terminal cover (three-point attachment) or independently to the wall.

SERIAL INTERFACES

IR – optical interface

Baud rate300 to 19200 bps

RS232

Max. no. of meters1
 Data transmission speed300 to 115200 bps
 Transmission modeAsynchronous, full duplex
 Max. line length15 m

RS485

Max. no. of meters31
 Data transmission speed300 to 115200 bps
 Transmission modetwo-wire
 Max. line length1200 m

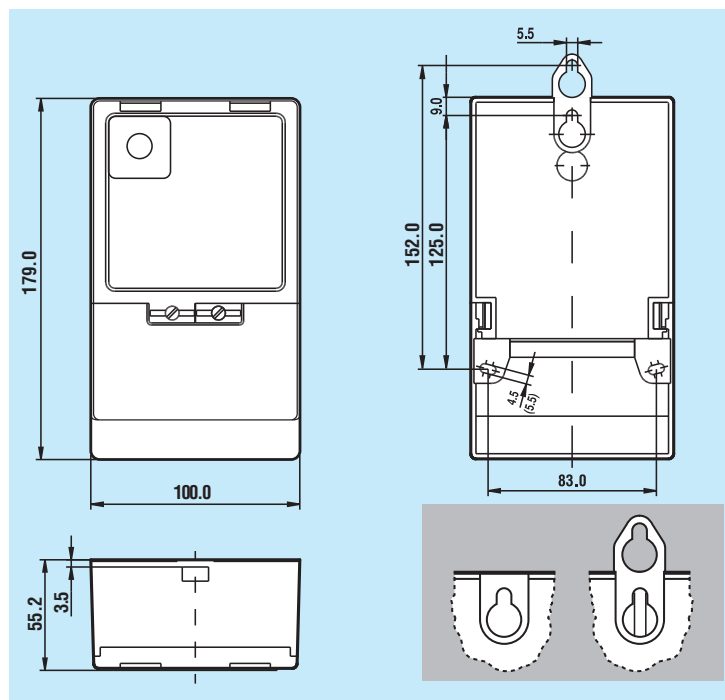
CS – active current loop

Max. no. of meters4
 Data transmission speed300 to 9600 bps
 Transmission modetwo-wire, 20mA active
 Max. line length1000 m

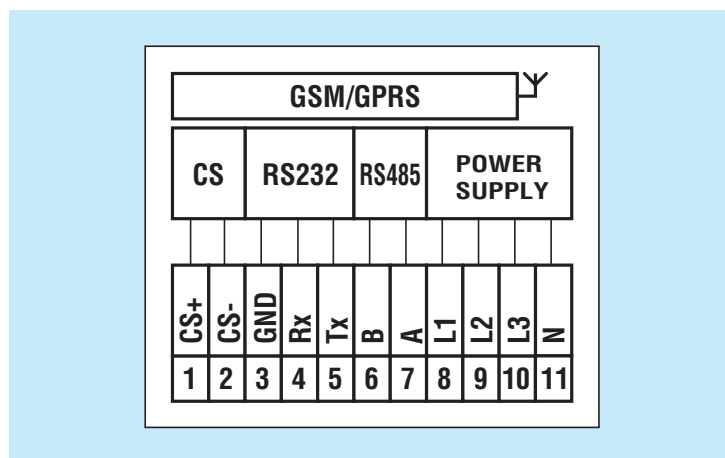
GSM/GPRS modem

- EGSM/GPRS/EGPRS 900/1800/850/1900MHz four-band modem
- 2W EGSM / GPRS 850/900MHz modem power supply 3.6V DC
- 1W GSM/GPRS 1800/1900MHz modem power supply 3.6V DC
- 0.5W EGPRS 850/900MHz modem power supply 3.6V DC
- 0.4W EGPRS 1800/1900MHz modem power supply 3.6V DC
- 3V / 1.8V SIM interface
- Hardware GSM / GPRS and EGPRS Class 10 capable
- Modem application
- Real-time clock with calendar

DIMENSIONS



CONNECTION DIAGRAM



MARKING

P2CC-K528-00-V2.2 IR + RS232 + CS + RS485 + GSM/GPRS modem

Owing to periodical improvements of our products, the supplied products may differ in some details from the data stated in the prospectus material.

Iskraemeco, Energy Measurement and Management
 4000 Kranj, Savska loka 4, Slovenia
 Telephone: (+386 4) 206 40 00, Telefax: (+386 4) 206 43 76,
<http://www.iskraemeco.si>, e-mail: info@iskraemeco.si
 Published by Iskraemeco. Data subject to alteration without notice.